

PICNIC SETTING

Designer: SPARK



SLAT OPTIONS

- Oiled hardwood
- Composite

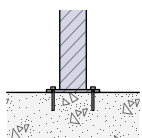
FRAME OPTIONS

- Mild Steel

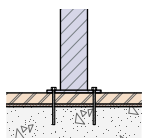
FRAME FINISHES

- Hot dip galvanised
- Powdercoat

INSTALLATION



Bolt Down



Bolt Through

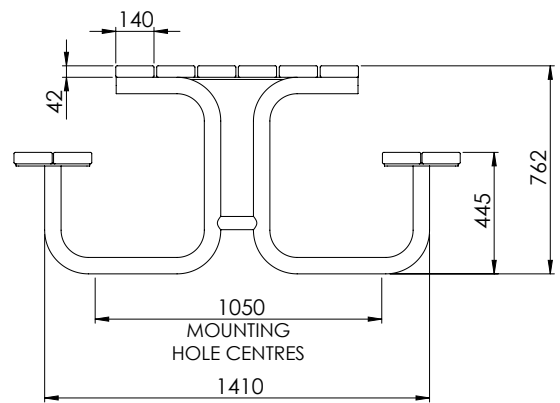
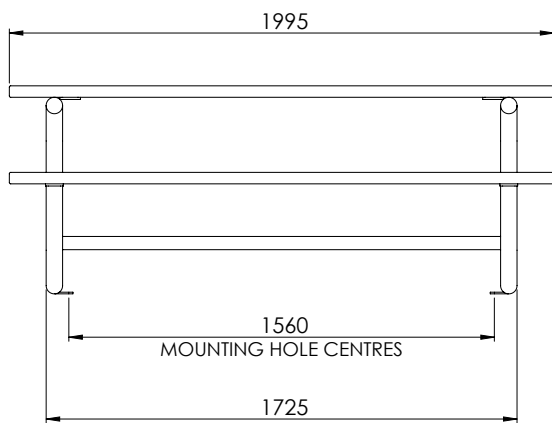
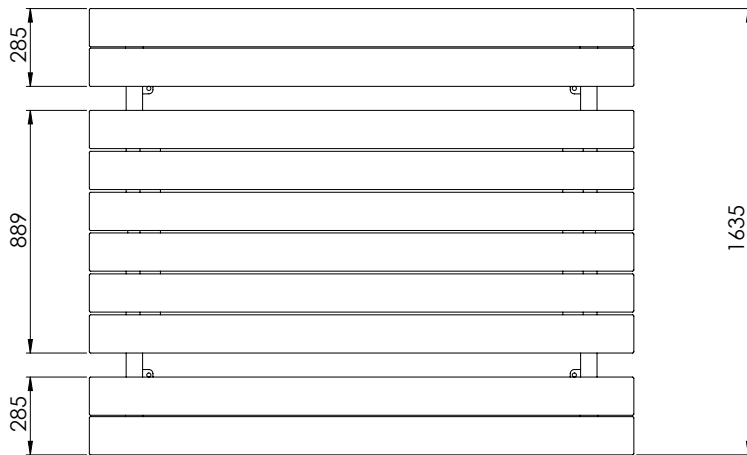
FIXINGS

- 12mm fixings for 14mm diameter holes

Alternative materials and finishes available on request

CAMPUS PICNIC SETTING

SPECIFICATIONS



Measurements are in millimetres. Drawings are not to scale.

PRODUCT CODE	FRAME FINISH	SLAT OPTION & SIZE (mm)
CAM006-HDG-GV-T42	Galvanised	140x42 Oiled hardwood timber
CAM006-HDG-PC-T42	Powdercoated	140x42 Oiled hardwood timber